

Instructions to mount the Filler assembly to the unit:

Step: 1

Level the top filler panel with the top panel of the unit using leveler (not included).

Screw the top filler panel to the back wall in 2/3 places using drywall screws (not included) as shown in Fig 1.

Screw top filler panel to the unit side panel in 3 places using #8 sheet metal tap screws as shown in Fig 1

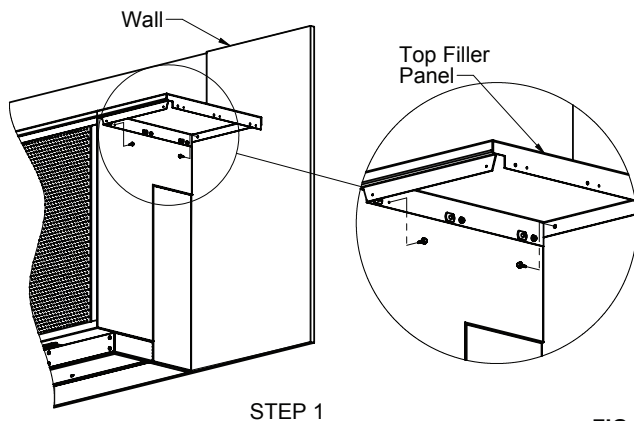


FIG: 1

OR

Drill three 0.20" diameter holes into the side panel using template as shown in Fig 2.

Level the top filler panel with the top panel of the unit using leveler (not included).

Screw the top filler panel to the back wall in 2/3 places using drywall screws (not included) as shown in Fig 2.

Remove the front panel of unit.

Using #8-32 machine screws and weld nut on the top filler panel attach the top filler panel to side panel from inside in 3 places as shown in Fig 2.

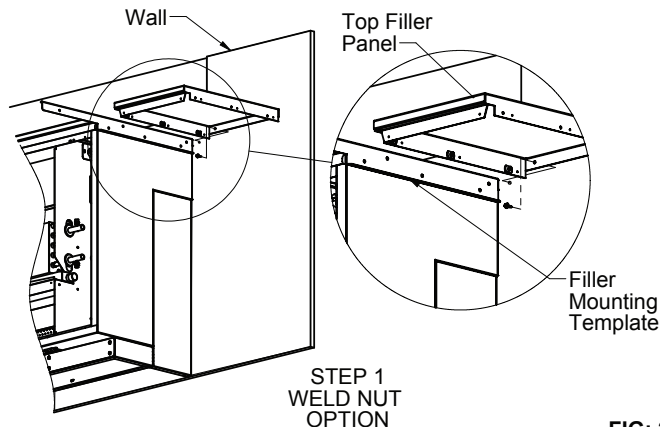


FIG: 2

Step: 2

Place the filler mounting template vertical as shown in Fig 3 and drill three 0.20" diameter holes into the side panel using filler panel mounting template to attach front filler panel.

Align bottom front trim angle with the mounting base and screw it to the mounting base using #8 sheet metal tap screw in 2 places.

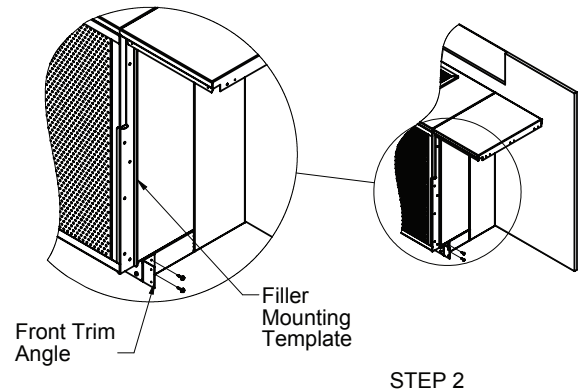


FIG: 3

Step: 3

Screw the front filler panel to top filler panel in 2 places using #8 sheet metal screws as shown in Fig 4.

Screw the front filler panel and décor panel to the bottom front rim angle in 2 places each side.

Using #8-32 machine screws and weld nut on the front filler panel attach the front filler panel to side panel from inside in 3 places as shown in figure 4.

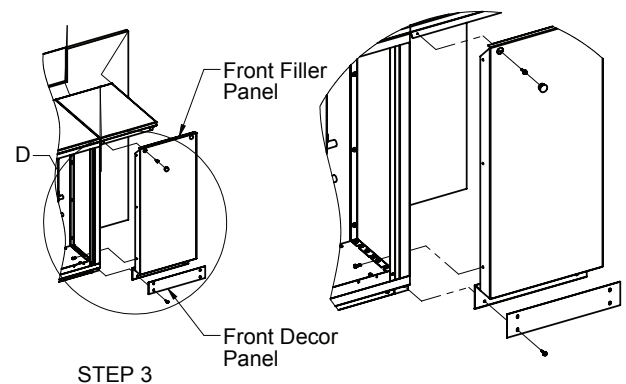


FIG: 4

Note:

Follow the above mention steps to mount the filler assembly (untrimmed) to the wall.

Instructions to mount the Filler assembly (trimmed) to the wall:

Step: 1

Trim the top and front filler panel as well as décor panel to desired size.

Insert the cut side of the top filler panel into the lip of the top trim angle assembly as shown in the detailed view in figure 5.

Level the top filler panel with the top panel of the unit using leveler (not included).

Screw the top filler panel to the back wall in 2/3 places using drywall screws (not included) as shown in Fig 5.

Screw the top trim angle assembly to the side wall in 3 places using drywall screws (not included).

Screw top filler panel to the unit side panel in 3 places using #8 sheet metal tap screws.

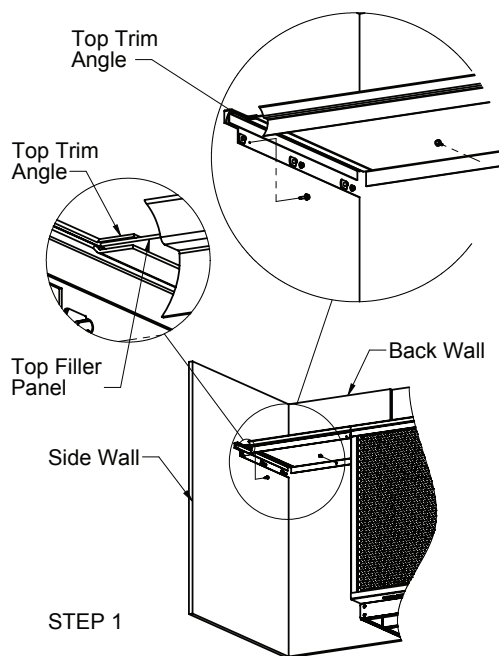


FIG: 5

OR

For smaller width sections drill the holes on the side panel using the template as shown in Fig 2. Use #8-32 machines screws and weld nut on the top filler panel and screw it to side panel from inside of the unit.

Step: 2

Align the front trim angle to top filler panel and screw it to the wall in 3 places using drywall screws (not included) as shown in Fig 6.

Align the bottom front trim angle with the mounting base and screw it to mounting base in 2 places using #8 sheet metal tap screws. Screw other bottom front trim angle to the wall in line with the one mounted on the unit in 2 places using drywall screws (not included)

WALL MOUNTING

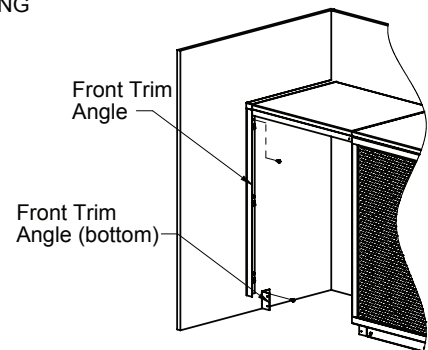


FIG: 6

Step: 3

Drill three 0.20" diameter holes into the side panel using filler panel mounting template to attach front filler panel (as shown in figure 3).

Slide front filler panel behind the front trim angle and screw the front filler panel to top filler panel using #8 sheet metal screws.

Screw the front filler panel and décor panel to front trim angle in 2 places each side as shown in Fig 7.

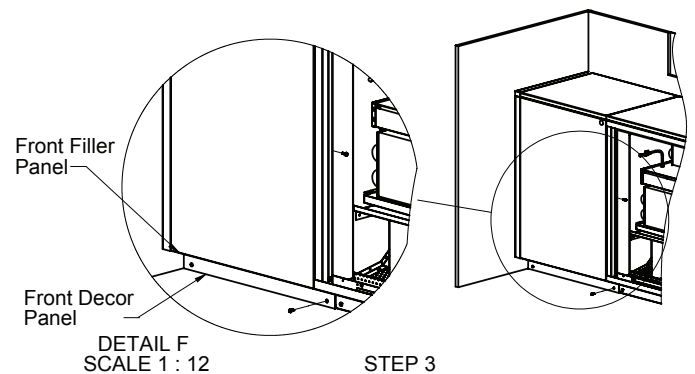


FIG: 7

Using #8-32 machine screws and weld nut on the front filler panel attach the front filler panel to side panel from inside in 3 places as shown in Fig 4.

Note:

To mount non-standard (Trimmed) filler panel in-between the unit, trim both sides of the filler panels and use top and front trim angles on both the sides to have even look. For narrow gaps use weld nut mounted on the filler panels and screw the panel from inside of the unit.